

# PROJECT QUESTIONNAIRE

Romold GmbH  
 Sägewerkstraße 5  
 D-83416 Surheim  
 Tel: +49-8654-4768-0  
 Fax: +49-8654-4768-47  
 E-mail: verkauf@romold.de



edited: 01/2019

## ROMOLD PP-manhole DN 600

order       request for information

project: \_\_\_\_\_

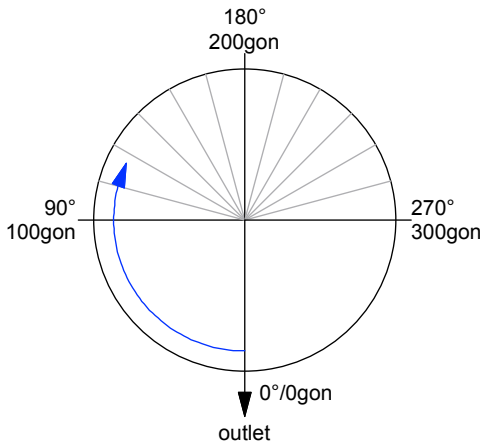
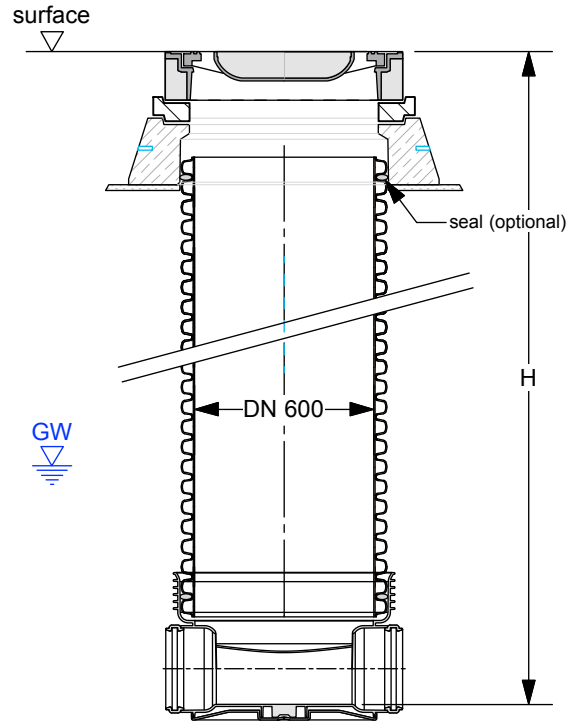
manhole no.: \_\_\_\_\_

depth H [m]: \_\_\_\_\_  
surface to channel

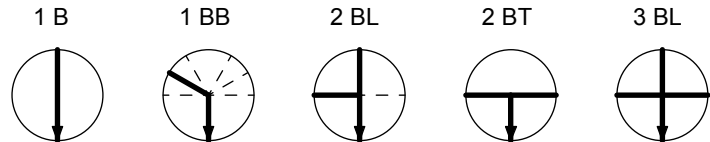
ground water level [m]: \_\_\_\_\_  
ground water depth relative to surface

commercial cover  
 class:  B125  D400  
please indicate

seal to cone:  yes  no  
please indicate



available channels: DN 160, 200, 250, 315, 400 (only 1B)



	DN/OD	plain pipe	others, clay pipe, concrete	falling	angular degrees [°]	centesimal degrees [gon]	pipe gradient [%]
outlet				----	0°	0 gon	
inlet 1							
inlet 2							
inlet 3							

company: \_\_\_\_\_

contact person: \_\_\_\_\_

tel. / fax: \_\_\_\_\_

E-mail: \_\_\_\_\_

stamp

\_\_\_\_\_

date, signature