

# PROJECT QUESTIONNAIRE

Romold GmbH  
 Sägewerkstraße 5  
 D-83416 Surheim  
 Tel: +49-8654-4768-0  
 Fax: +49-8654-4768-47  
 E-mail: verkauf@romold.de

**ROMOLD**

edited: 11/2018

## ROMOLD PE-gully for longitudinal drainage

order  request for information

project: \_\_\_\_\_

gully no.: \_\_\_\_\_

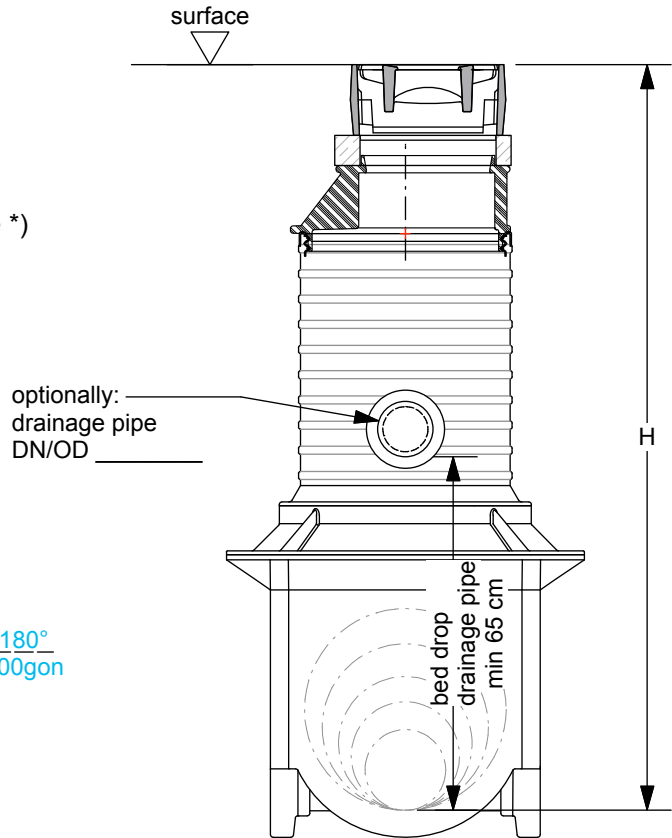
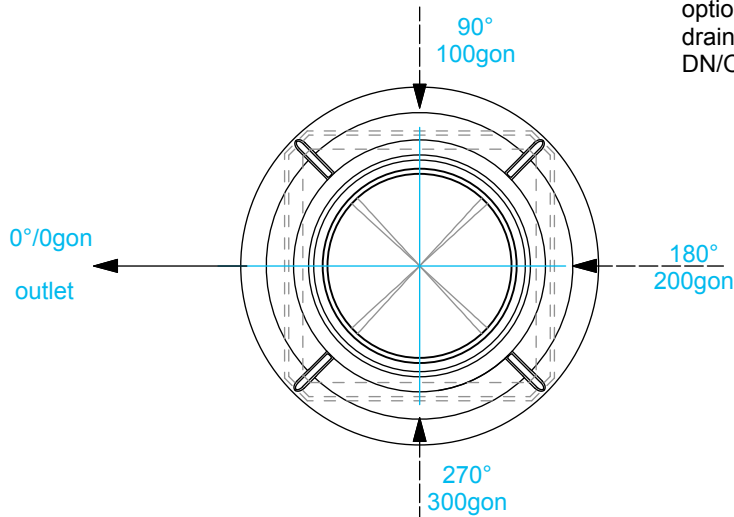
depth H [m]: \_\_\_\_\_  
surface to channel

grating: \*)  500 x 300mm  500 x 500mm  
please indicate

support ring 10a/10b:  plastic  concrete \*)

special feature: \_\_\_\_\_

\*) not delivered by ROMOLD



	plain pipe DN/OD 160 - DN/OD 400	others, PE, clay pipe, concrete	drainage (optional)	angular degrees [°]	centesimal degrees [gon]	bed drop [cm]	note
outlet			----	0°	0 gon	----	
inlet 1				90°	100 gon		
inlet 2				180°	200 gon		
inlet 3				270°	300 gon		

company: \_\_\_\_\_

contact person: \_\_\_\_\_

tel. / fax: \_\_\_\_\_

E-mail: \_\_\_\_\_

stamp

date, signature