

PROJECT QUESTIONNAIRE

ROMOLD Manhole DN 1000 for welded PE pipes

Romold GmbH
 Sägewerkstraße 5
 D-83416 Surheim
 Tel: +49-8654-4768-0
 Fax: +49-8654-4768-47
 E-mail: verkauf@romold.de



order request for information

project: _____

desired delivery date: _____

manhole no.: _____

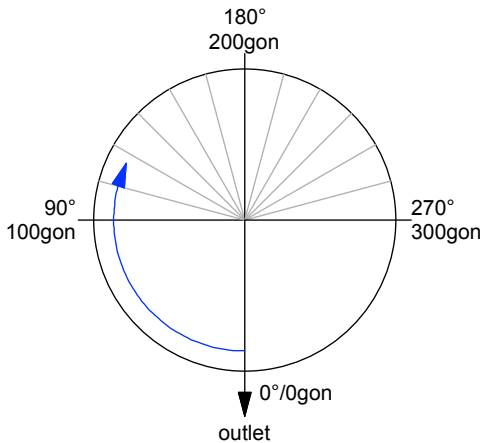
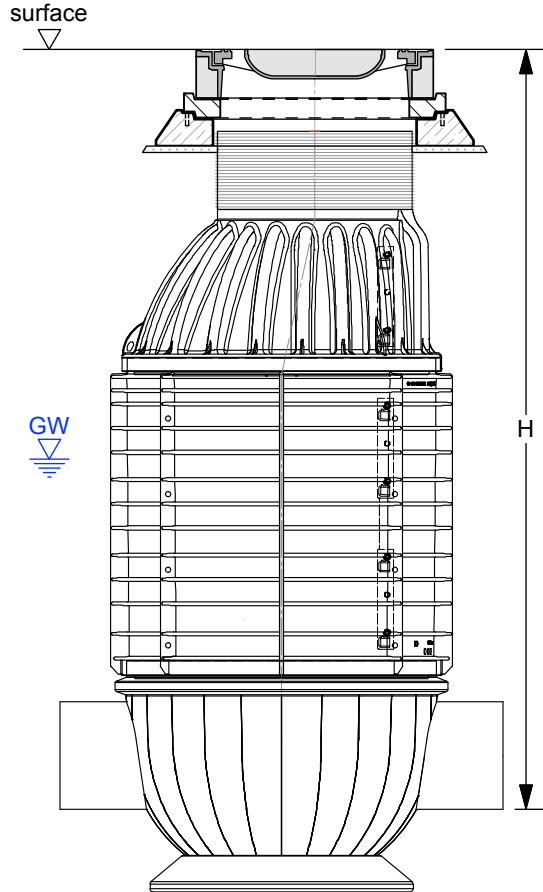
* for multiple orders, please indicate installation order

depth H [m]: _____
surface to channel

ground water level [m]: _____
ground water depth relative to surface

commercial cover
 class: B125 D400
please indicate

seal to cone: yes no
please indicate



	PE-pipe Dia mm x mm Standard: SDR 17.6 with a bright inner surface	others, clay pipe, concrete	falling	angular degrees [°]	centesimal degrees [gon]	bed drop [cm]	pipe gradient [%]
outlet			----	0°	0 gon	----	
inlet 1)						<input type="radio"/> no bed drop <input type="radio"/> + _____	
inlet 2)						<input type="radio"/> no bed drop <input type="radio"/> + _____	
inlet 3)						<input type="radio"/> no bed drop <input type="radio"/> + _____	

company: _____

contact person: _____

tel. / fax: _____

E-mail: _____

stamp

date, signature