

# PROJECT QUESTIONNAIRE

Romold GmbH  
 Sägewerkstraße 5  
 D-83416 Surheim  
 Tel: +49-8654-4768-0  
 Fax: +49-8654-4768-47  
 E-mail: verkauf@romold.de



edited: 06/2018

ROMOLD PP-manhole DN 800

order       request for information

project: \_\_\_\_\_

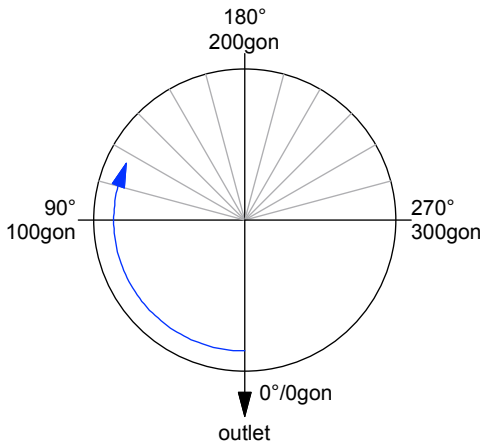
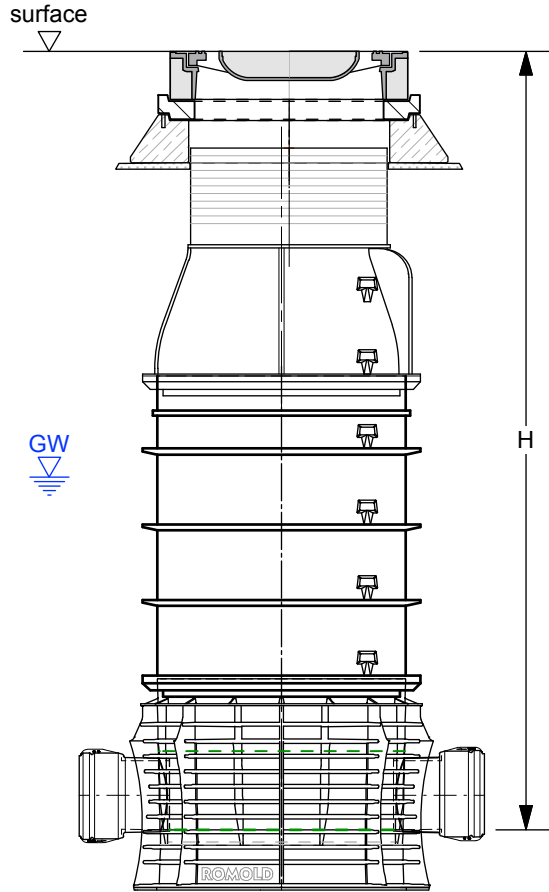
manhole no.: \_\_\_\_\_

depth H [m]: \_\_\_\_\_  
surface to channel

ground water level [m]: \_\_\_\_\_  
ground water depth relative to surface

commercial cover  
 class:  B125  D400  
please indicate

seal to cone:  yes  no  
please indicate



	DN/OD	plain pipe	others, clay pipe, concrete	falling	angular degrees [°]	centesimal degrees [gon]	bed drop [cm]	pipe gradient [%]
outlet				----	0°	0 gon	----	
inlet 1							<input type="radio"/> no bed drop <input type="radio"/> + _____	
inlet 2							<input type="radio"/> no bed drop <input type="radio"/> + _____	
inlet 3							<input type="radio"/> no bed drop <input type="radio"/> + _____	

company: \_\_\_\_\_

contact person: \_\_\_\_\_

tel. / fax: \_\_\_\_\_

E-mail: \_\_\_\_\_

stamp

\_\_\_\_\_

date, signature