

PROJECT QUESTIONNAIRE

Romold GmbH
 Sägewerkstraße 5
 D-83416 Surheim
 Tel: +49-8654-4768-0
 Fax: +49-8654-4768-47
 E-mail: verkauf@romold.de



ROMOLD PE-road gully with siphon

order request for information

project: _____

gully no.: _____

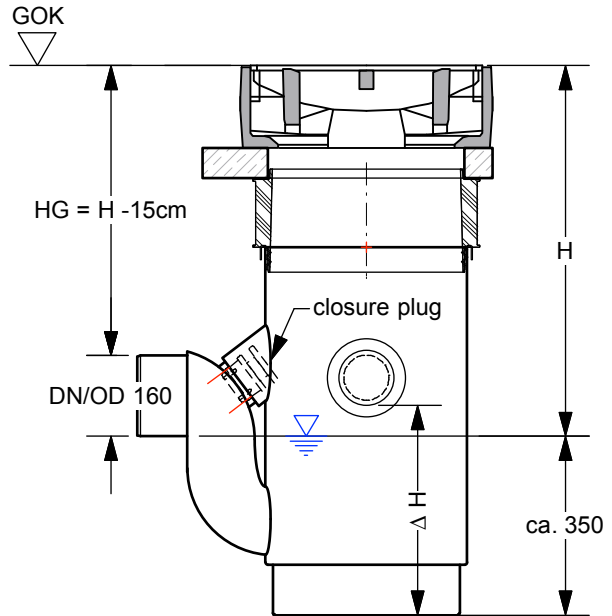
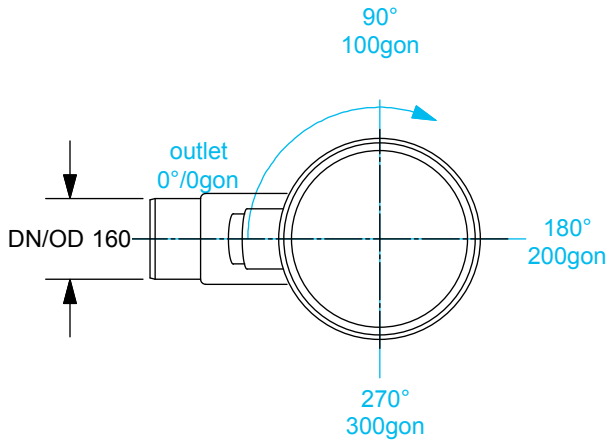
depth H [m]: _____
surface to channel

grating: *) 500 x 300mm 500 x 500mm
please indicate

support ring 10a/10b: plastic concrete *)

special feature: _____

*) not delivered by ROMOLD



	KG PE	others, Stzg StB	angular degrees [°]	centesimal degrees [gon]	gon	Δ H [cm]	note
outlet	DN/OD 160		----	0°	0 gon	----	
inlet 1							
inlet 2							

When planning the height, please note that the plug can still be operated (HG = H -15cm)

company: _____

contact person: _____

tel. / fax: _____

E-mail: _____

stamp

 date, signature